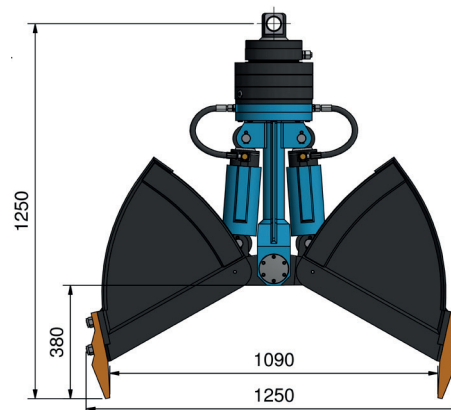
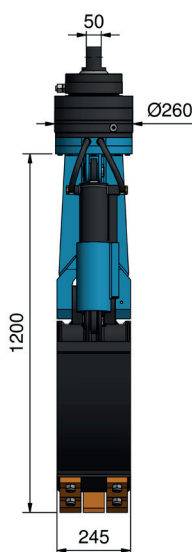
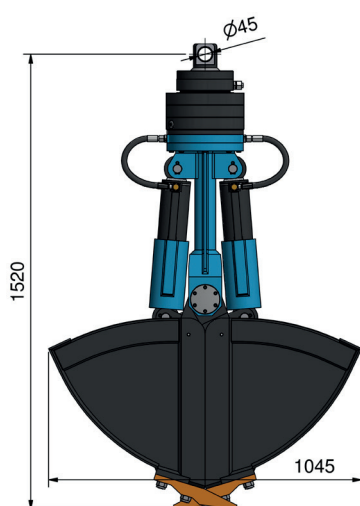


# Narrow bucket grapple HLD-V2-70



- This grapple is designed for digging work and railway maintenance work
- Thanks to its' narrow design is the grapple perfect for work between railway sleepers
- Hydraulic valve ensures synchronous operation of the buckets
- Max.pressure 200 bar
- Long service life



Grapple type	Capacity (dm <sup>3</sup> )	Weight (kg)	Lifting capacity of the rotator (kg)	Closing force F (200 bar)
HLD-V2-70	70	290	1 500	15,7 - 18,4 kN

